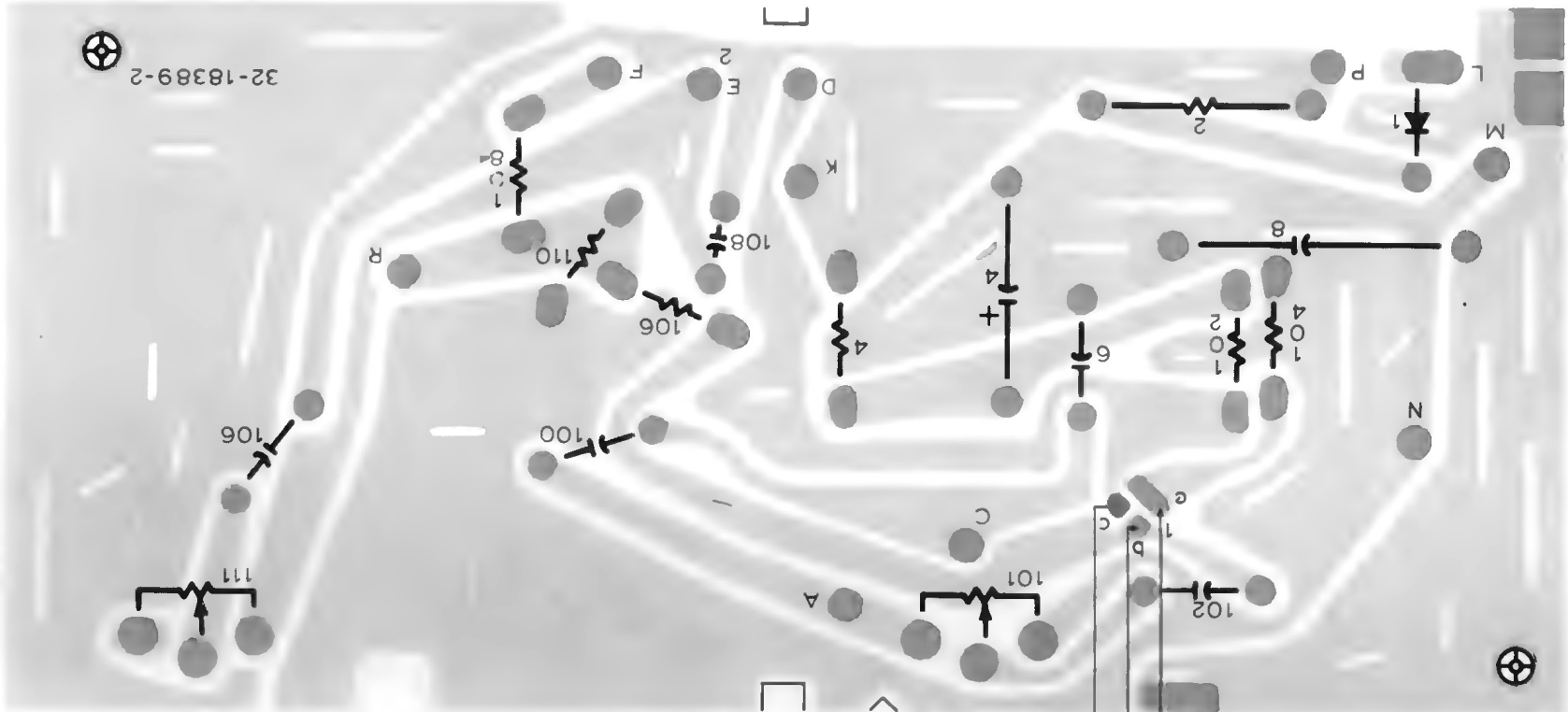
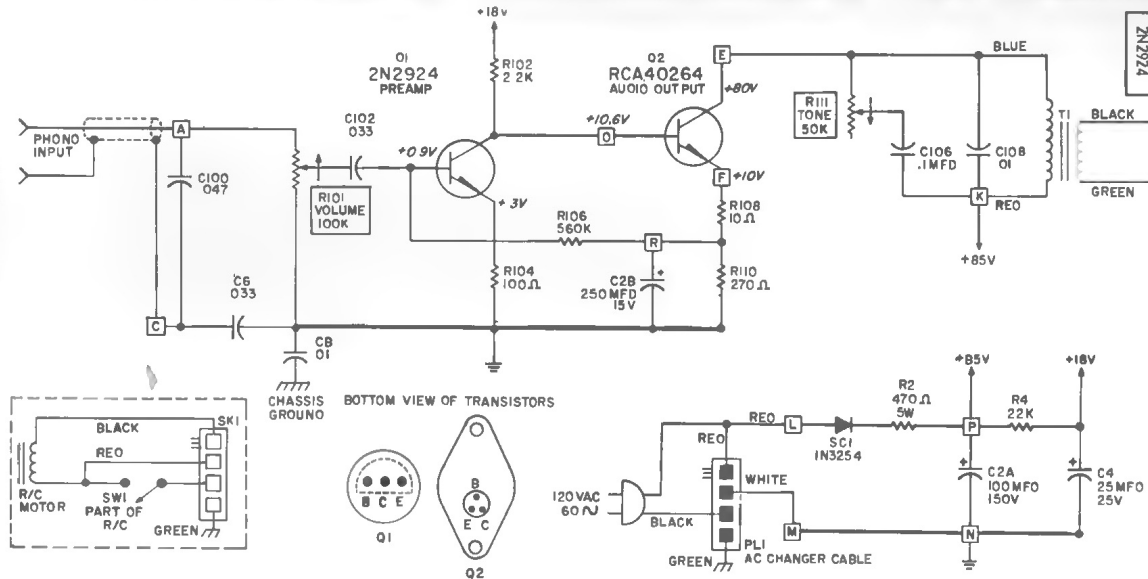


SYLVANIA

Chassis P01-1
Model 45P50



Q1 Voltages are average readings measured to circuit ground.
See schematic diagram for voltage readings for Q2.



CAUTION BE CERTAIN SPEAKER IS CONNECTED OTHERWISE OUTPUT TRANSISTOR MAY BE DAMAGED IF AMPLIFIER IS OPERATED WITHOUT LOAD.

— CHASSIS REMOVAL —

1. Disconnect AC plug from power outlet.
2. Remove two (2) screws securing amplifier compartment cover to cabinet. Remove cover from cabinet.
3. Remove two (2) knobs from front of cabinet by pulling straight outward.
4. Remove two (2) screws securing chassis to cabinet located at bottom of cabinet.
5. Remove four (4) screws securing record changer shelf to cabinet.
6. Lift record changer and shelf upward and place in vertical position.
7. Identify and disconnect the phono cable, power supply and speaker leads.
8. Remove chassis from cabinet.
9. To replace chassis reverse the above procedure making certain all leads unsoldered or disconnected are replaced in their original electrical connections.